



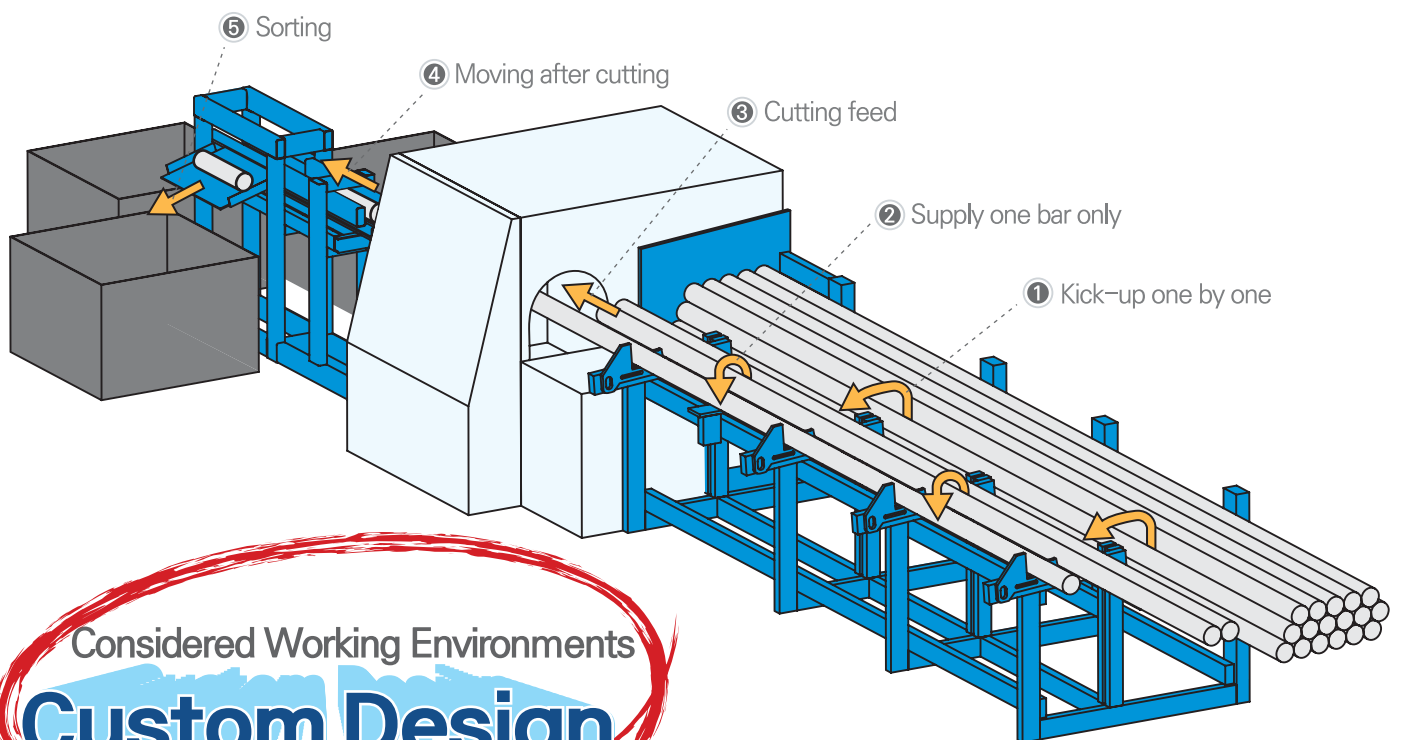
# Bestech

Circular Saw M/C  
Cutting Automation System  
Specialize in Custom Designed M/C



# Unmanned Fully-automatic Cutting System

Bundle loading, Feeding one by one, Cutting and Sorting into each pallet



Considered Working Environments  
**Custom Design**

■ DEVICE



Circular Saw M/C



Exit Conveyor



Loading Table



5-Pos. Exit Conveyor

## Circular Saw M/C

High Speed Circular Saw Machine (Steel & SUS)

**MODEL :** BX-75 / BX-100 / BX-120 / BX-150



### ■ Main Device



Touch Screen



Air Unit



Hydraulic Unit



Mistoil coolant System



Chip Conveyor

### ■ Specification

MODEL	Cutting Range (mm)	Cutting Length (mm)	Remnant Length (mm)	Feeding Stroke (mm)	Saw Blade (mm)	Main Motor (Kw)	Power Consumption (Kw)	Net Weight (Ton)
BX-75	Ø10 ~ Ø75	10 ~ 9999	30 + α	650	Ø285 x 2.0t	7.5	13	Approx. 3
BX-100	Ø20 ~ Ø100	10 ~ 9999	35 + α	800	Ø360 x 2.5t	15	24	Approx. 5
BX-120	Ø30 ~ Ø120	10 ~ 9999	40 + α	800	Ø380 x 2.5t	15	24	Approx. 6
BX-150	Ø75 ~ Ø150	15 ~ 9999	45 + α	600	Ø460 x 2.7t	15	26	Approx. 7

Patent registered

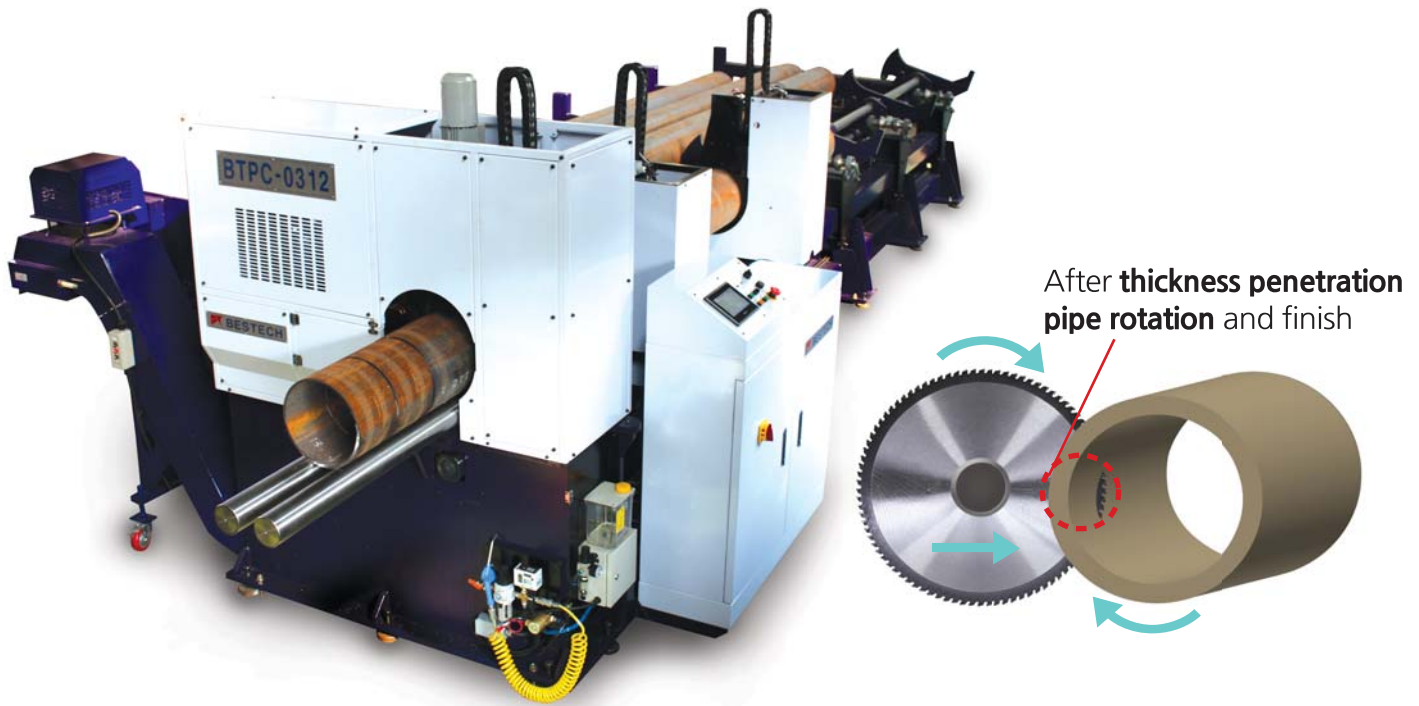
Pipe larger

Blade smaller

# Circular Saw M/C for Large Pipe

High Speed Circular Saw Machine for Large Pipe (Steel & SUS)

**MODEL :** BP-200 / BP-330 /BP-600



## ■ Main Device



Touch Screen



Air Unit



Hydraulic Unit



Loading Table



Chip Conveyor

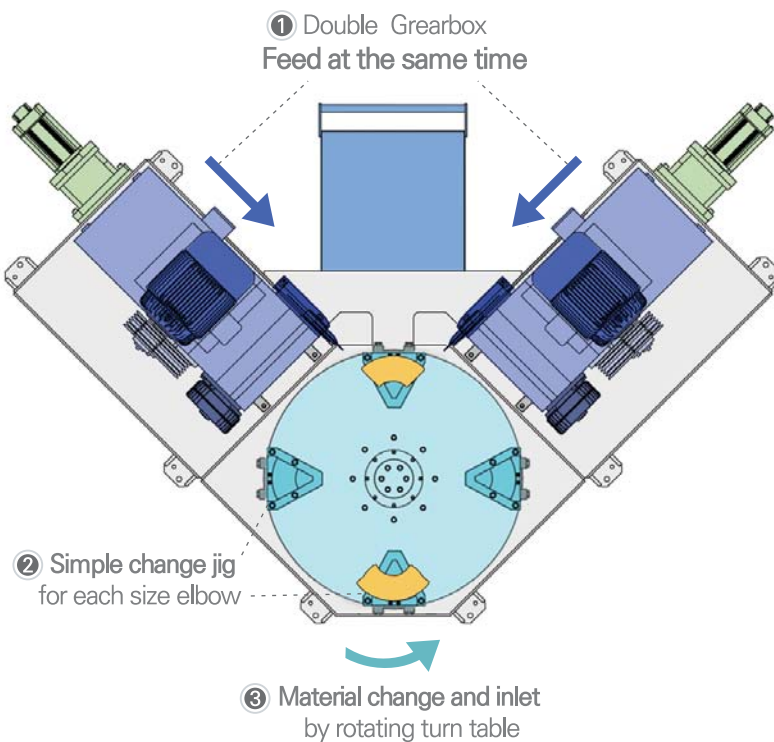
## ■ Specification

MODEL	Cutting Range (mm)	Cutting Length (mm)	Remnant Length (mm)	Feeding Stroke (mm)	Saw Blade (mm)	Main Motor (Kw)	Power Consumption (Kw)	Net Weight (Ton)
BP-200	∅89x4.5t ~ ∅216x8.5t	60 ~ 9999	260 + α	700	∅285 x 2.0t	7.5	11	Approx. 3.5
BP-330	∅89x4.5t ~ ∅324x15t	60 ~ 9999	200 + α	1000	∅285 x 2.0t	11	20	Approx. 4
BP-600	∅356x6t ~ ∅610x20t	70 ~ 9999	260 + α	1100	∅315 x 2.3t	22	35	Approx. 7

# 2-Way Elbow Cutting M/C

2-Way Elbow Cutting Machine (Steel & SUS)

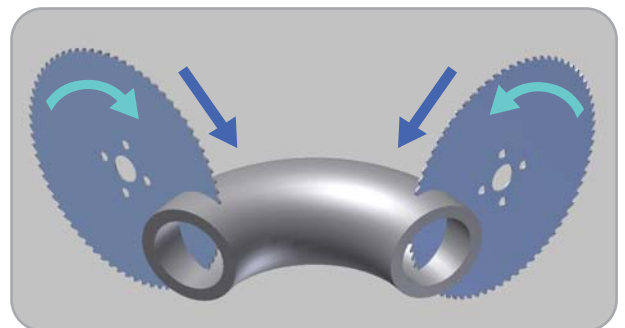
MODEL : BX-120D



Double end cutting at the same time  
Simple operating method

**High Productivity!!**

Stainless steel can be cut



■ Specification

MODEL	Cutting Range (mm)	Saw Blade (mm)	Main Motor (Kw)	Power Consumption (Kw)	Net Weight (Ton)
BX-120D	1/2' ~ 4" (Long)	Ø380x2.5tx2PCS	15Kw x 2SETS	48	Approx. 8

## Special Cutting M/C



Double End Cutting M/C by HSS Blade



Circular Saw M/C for Large Ring



Manual Cutting M/C (Dry Cutter)

## Special Automatic M/C



Brushing M/C



Moving Hoist



Brushing M/C